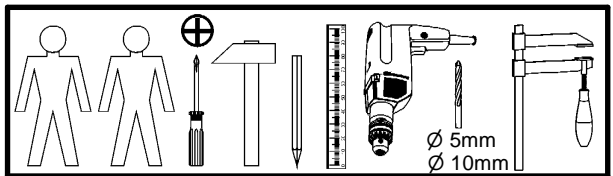
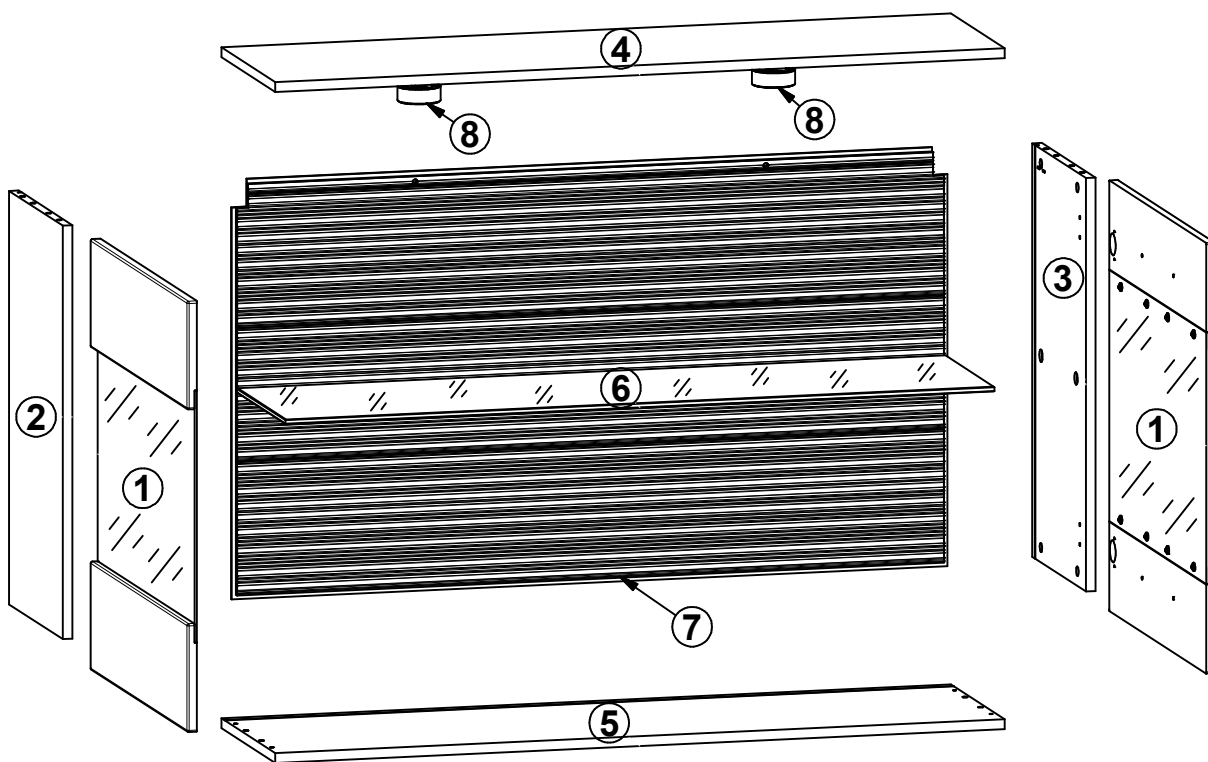
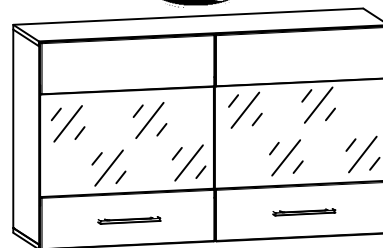
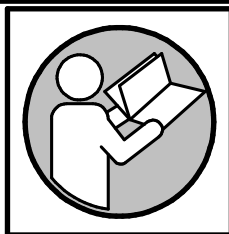


10 30 WW 11

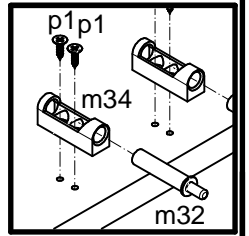
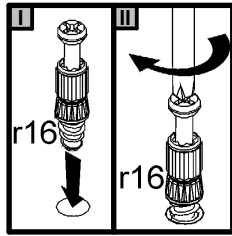
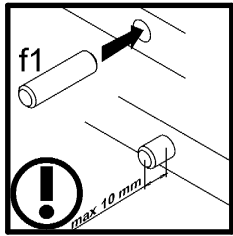
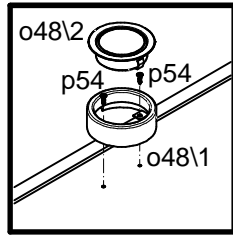
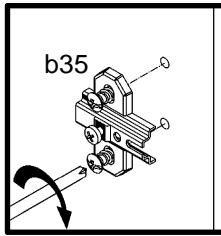
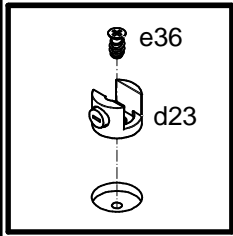
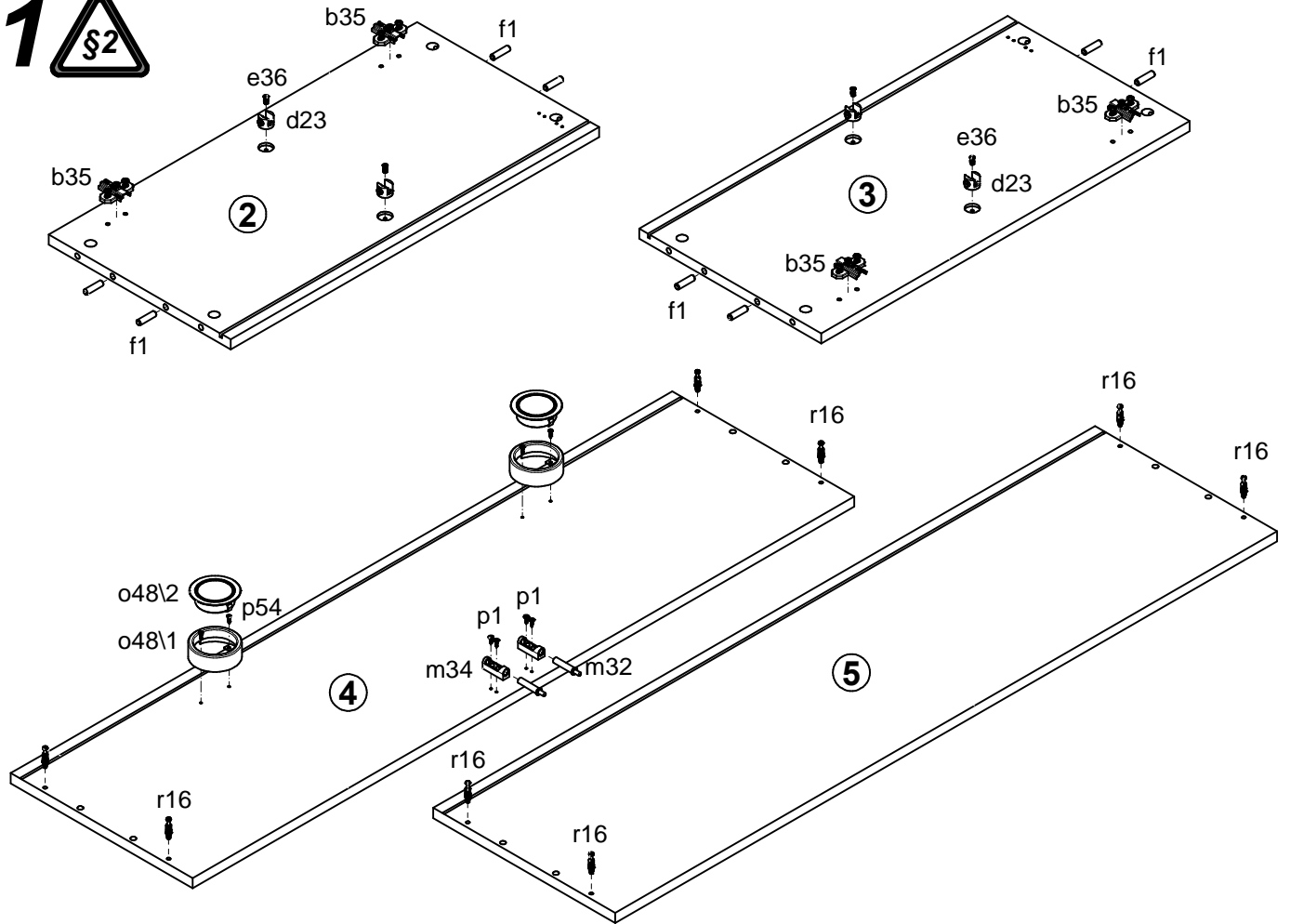
S117-SFW2W/7/12 - B

A	B	C	D	
1	S117-011A	696	596	2/2
2	S117-113	668	330	1/2
3	S117-114	668	330	1/2
4	S117-211	1200	330	1/2
5	S117-216	1200	330	1/2
6	S117-307	1166	298	1/2
7	S117-452	1177	678	2/2
8	qb29\2	LED		1/2

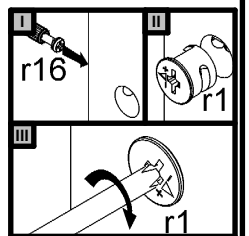
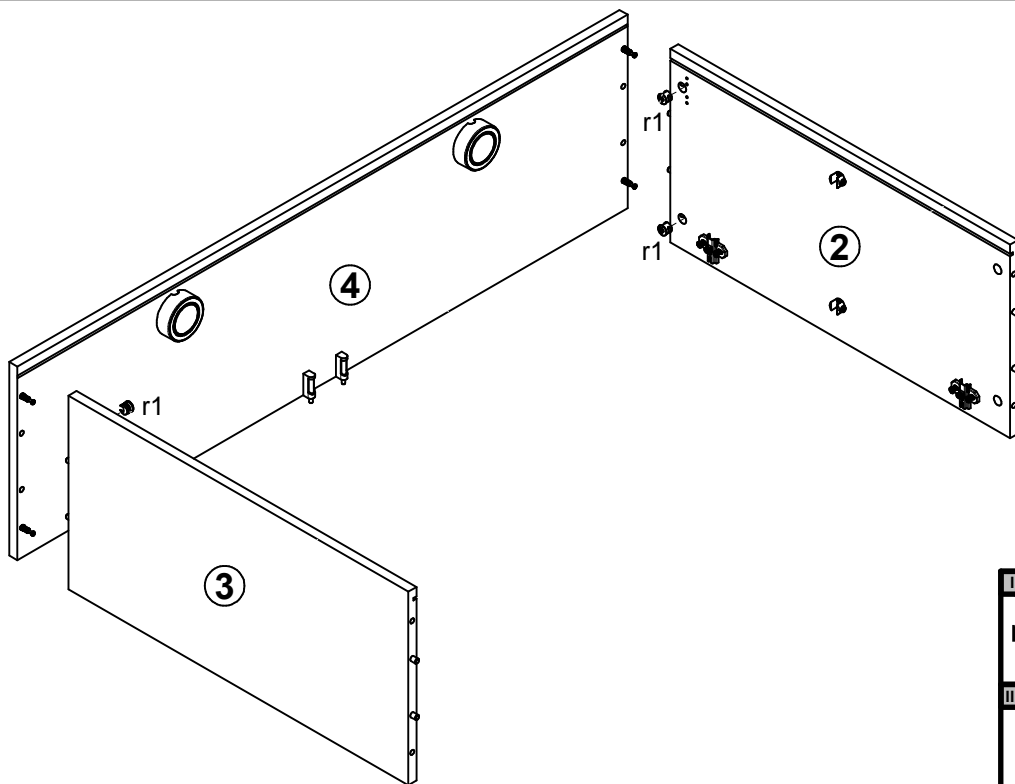


4x a44	4x b35	2x c306	4x d23	4x e36 φ6.0x11 mm	8x f1 φ8x30 mm	2x f35 φ10x50 mm	4x j8 M4x2.5 mm	10x l2
2x m32	2x m34	1x n38\L	1x n38\P	2x o48\1	2x o48\2	4x p1 φ3.5x13 mm	4x p21 φ4x30 mm	8x p51 φ3.5x15 mm
4x p54 φ3x12 mm	2x p75 φ3x60 mm	8x r1 φ1.5x12mm #16	8x r16	6x s2 ø16	2x o21 silikon			

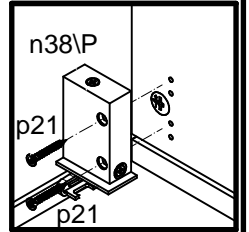
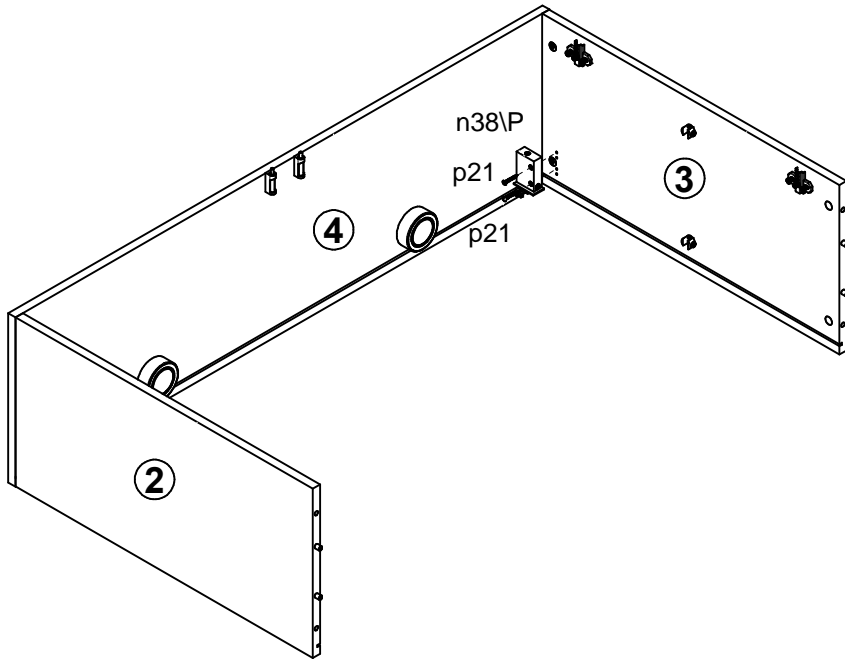
1



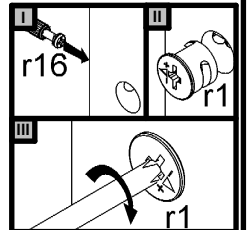
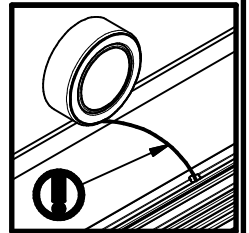
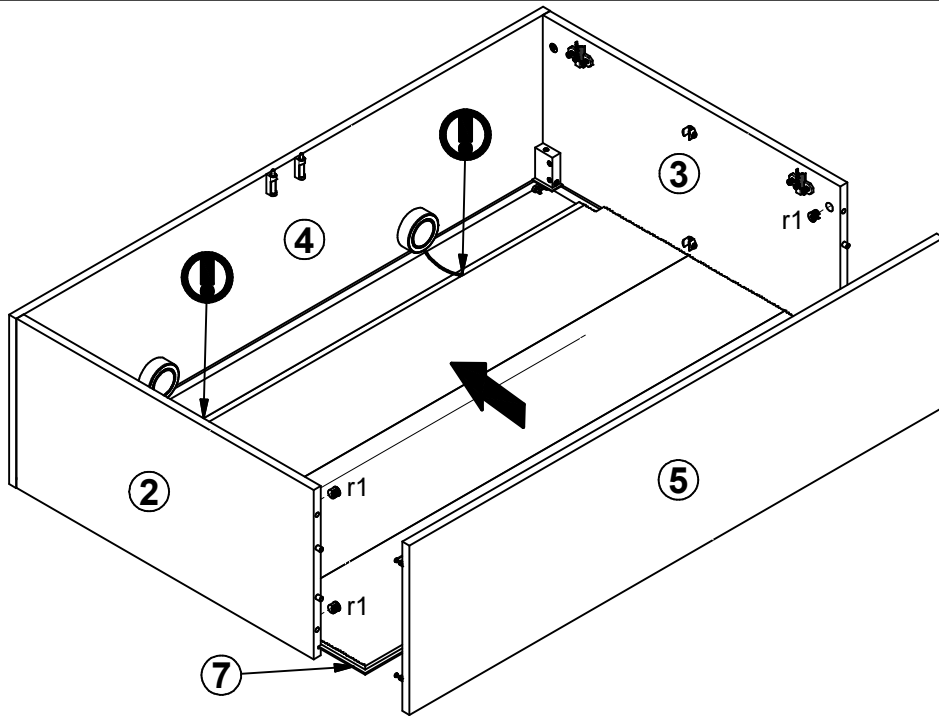
2



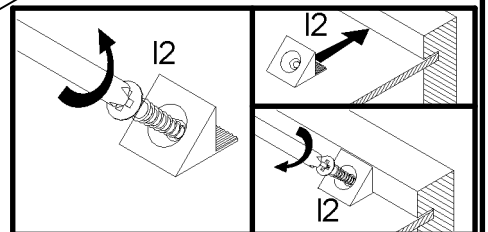
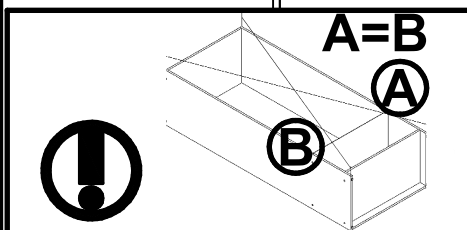
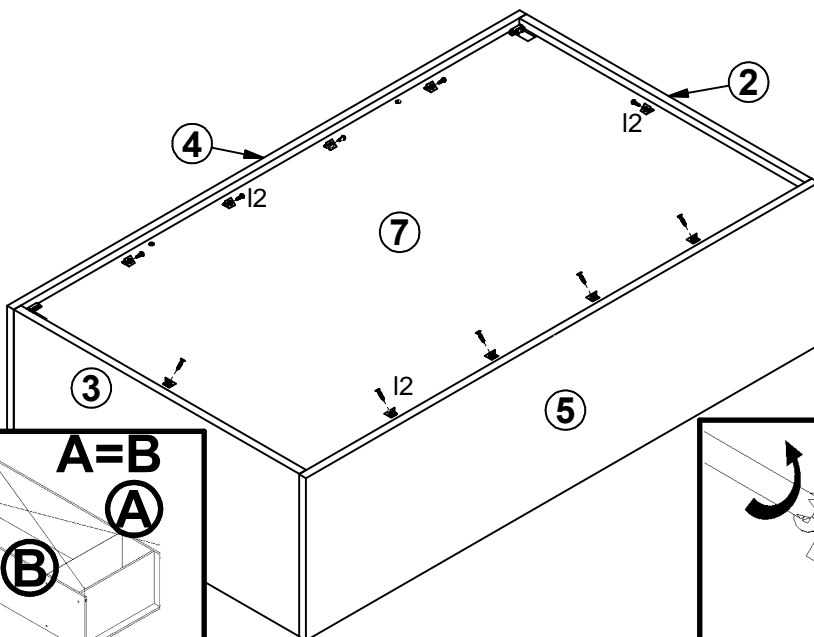
3



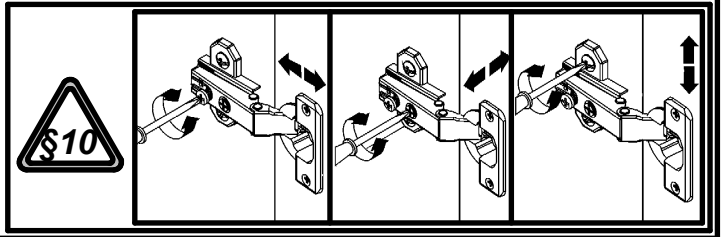
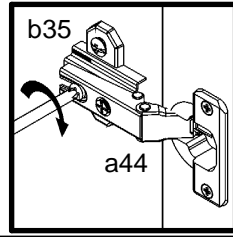
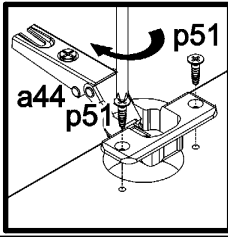
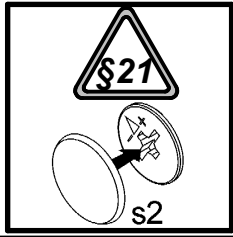
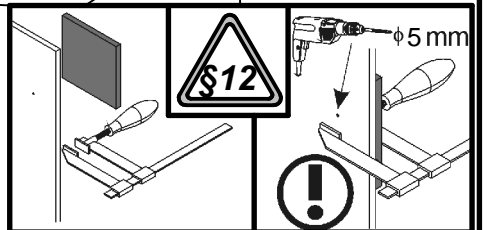
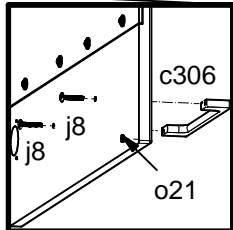
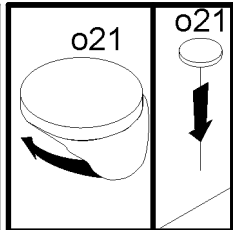
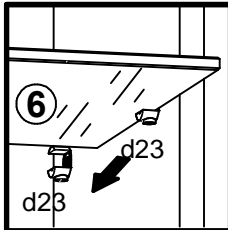
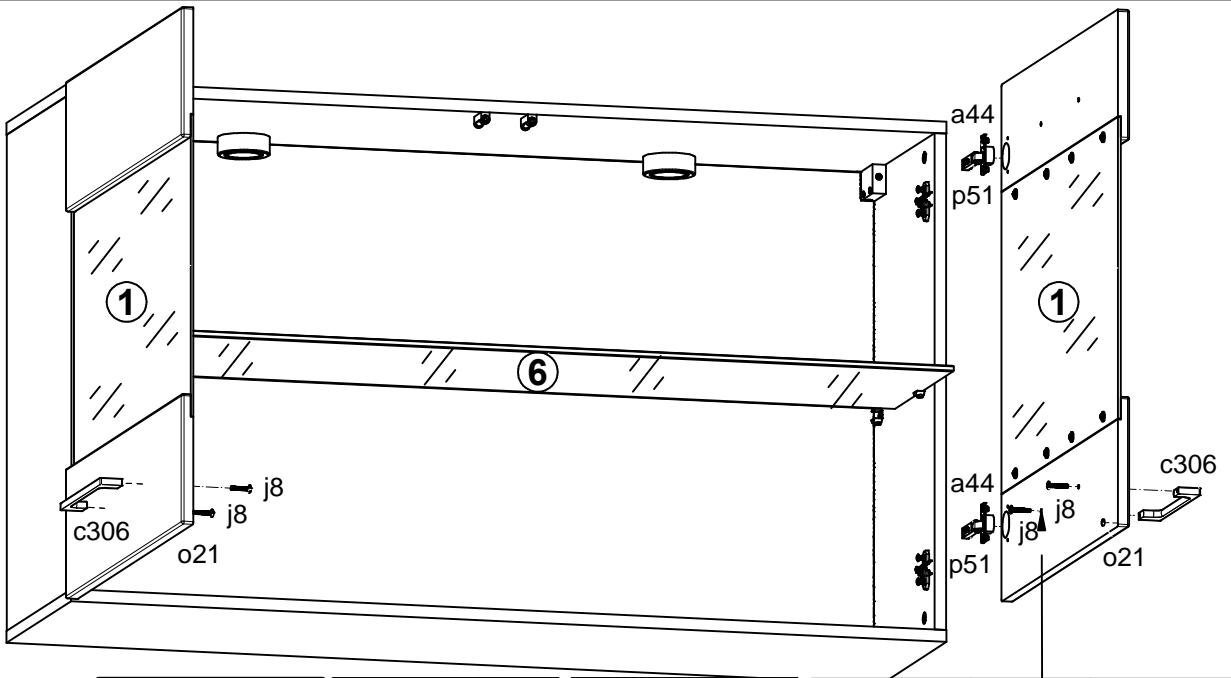
4



5



6



7

